

We wish to thank you for purchasing and investing your trust in JAAZ Rain Shower. We will do everything in our power to uphold this trust. Please read installation and care instruction carefully, because damage to surface & underlying material results from improper treatment is not covered by warranty.

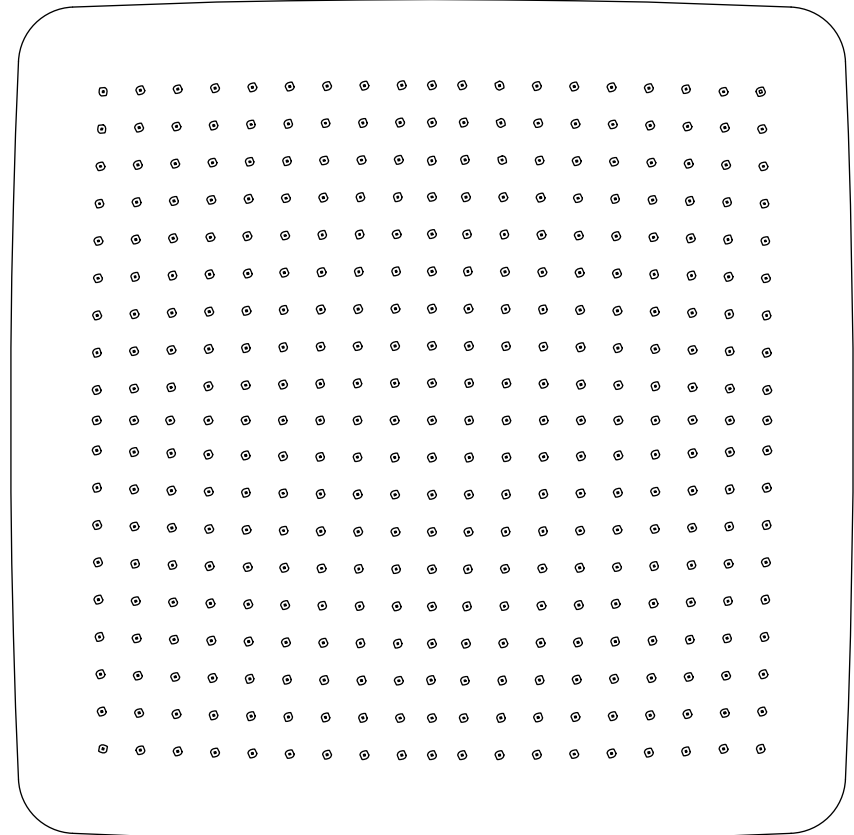
Care instruction Do not use any abrasive sponges or scouring agents for cleaning. We also advise not to use cleaning agents containing solvent or acid, lime scale removers, household vinegar and cleaning agents containing agents with acetic acid in them. They are aggressive to the surface and will leave your Rain Shower dull & scratched. As the formulation of commercially available cleaning agents frequently change, we cannot guarantee they will provide the gentle care to our Rain Shower deserve. Clean the Rain Shower with a little liquid soap and a moist soft cotton cloth only. Then simply rinse off and wipe dry. You can avoid lime spots by drying the shower each time it is used. Water Supply: Minimum Pressure 2 bar, Maximum Pressure 4 bar. Water Hardness: If water hardness exceeds 180mg/L, we strongly recommend the use of water softening system. Warranty does not cover any damage caused due to water hardness.

General Warranty - 3 years / Electrical Parts Warranty - 1 year Proven manufacturing & material defects would be repaired / replaced during 3 year warranty period. The company assumes that proper care will be taken while installation and its use.



Place &
Date

Dealer Stamp &
Sign



Jaaz Corporation Pvt. Ltd.

Behind Doggers Park, Opposite Veda Lawns, Near Greenwood
Antica, Ankodiya, Vadodara, Gujarat, INDIA – 391330

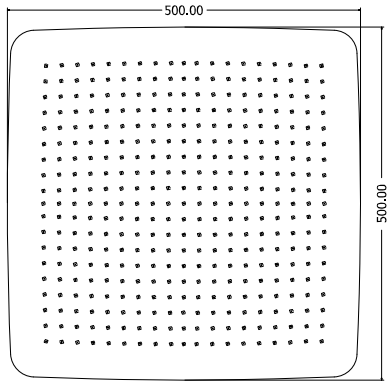
Email: info@jaaz.in

Phone: [+91-9408630765](tel:+91-9408630765)

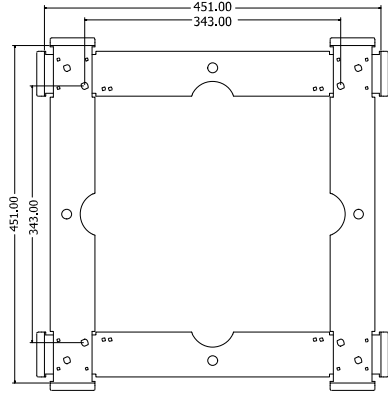
Rain Shower
SMFSR

Parts List

Model : SMFSR
 Size : 500.00mm x 500.00mm
 Function: Rain



Shower head



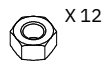
Bracket



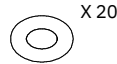
Stud bolt



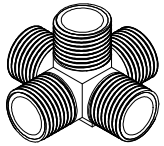
Strong Anchor



Nut X 12



Washer X 20



5 Way Connector



Braided Pipe



Allen Key



Filter

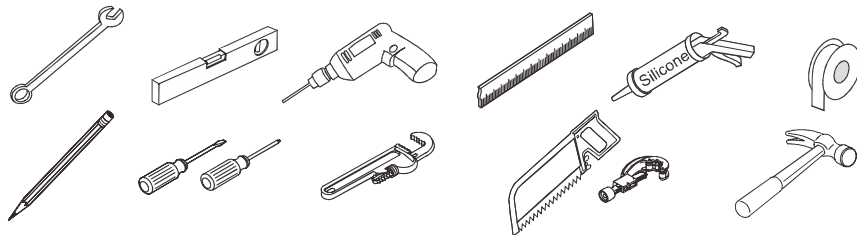


Wire

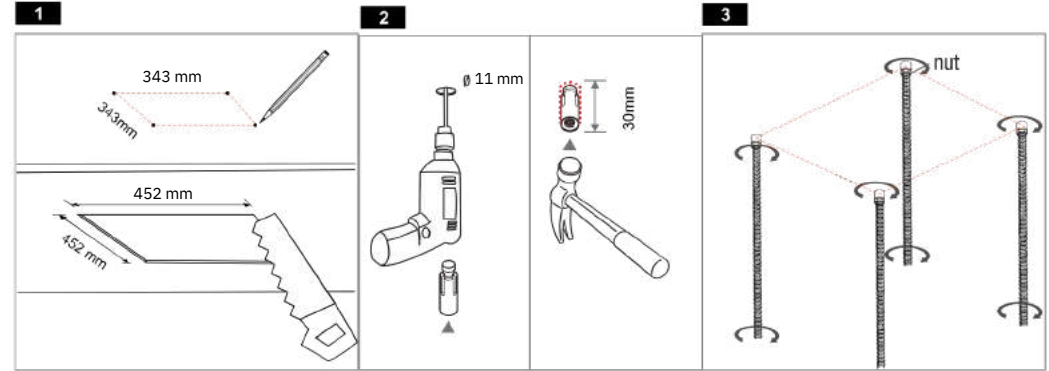


X4
 Covering Nozzle

➔ For assembly you will need:



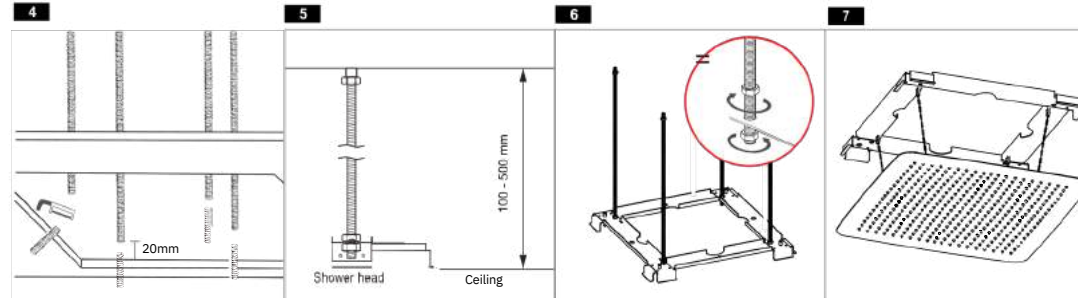
Installation Guide



1
 Cut the false to install the bracket and mark 4 position on the upper ceiling for strong anchor.
 Bracket Size : 452mm x 452mm
 Position Size : 343mm x 343mm

2
 Make the 4 holes (11dia, 30mm dip) on the 4 marks. Put the 4 strong anchors into the holes and hit them with a hammer.

3
 Screw 4 stud bolts to the anchor bolts and fasten each bolt.

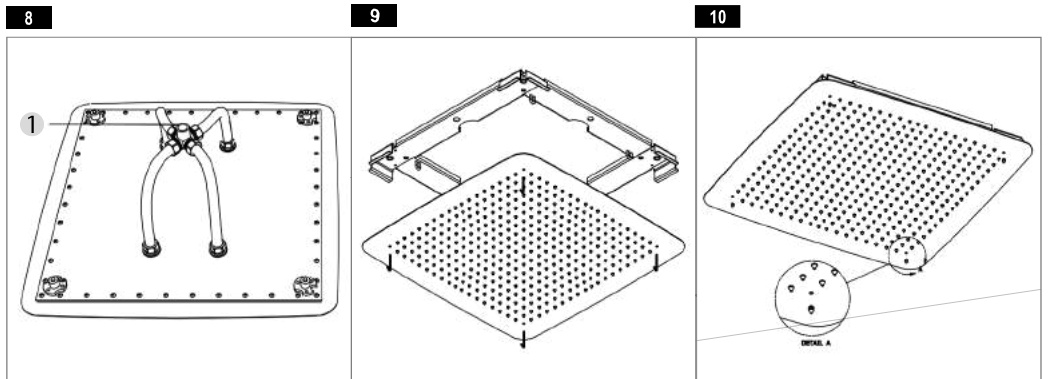


4
 Check the length between the false ceiling and built-in bracket. Cut the stud bolt according to the measured value. Put one nut to each stud bolt. There must be 20mm gap between stud bolt and ceiling

5
 Put the bracket to the ceiling.

6
 Tighten the stud bolts with 4 nuts and adjust the height

7
 Hang wires of shower head on the bracket.



1 Rain

Connect water supply hoses to the shower head.

9
 Put the shower head to the bracket. Fasten Screw from the front side of shower with the help of 3mm Allen Key

10
 Fix the Shower. Cover 4 corner holes with Silicon Rubber Covering Nozzles.